

TankJet® 9

FLUID DRIVEN TANK CLEANER

Rotating Nozzles Effectively Rinse Tanks

Features and Benefits

- Flat spray nozzles mounted in a rotating spray head driven by the flow of the cleaning liquid
- Simple and reliable – no ball bearings
- Operates effectively in any position – vertical or horizontal
- Suitable for CIP and sanitary applications
- Can be used for chemical distribution and passivation
- Made of 316 stainless steel with thermoplastic bearings

Choose from three versions:

TankJet 9-A

- Two flat sprays produce sides sprays – 2 x 175° coverage
- Low flow rates up to 5 gpm (18.9 l/min)
- For tanks up to 6' (1.8 m) diameter

TankJet 9-B

- Six flat sprays provide 360° coverage of entire tank
- Flow rates up to 17 gpm (64 l/min)
- For tanks up to 12' (3.6 m) diameter

TankJet 9-C

- Six flat sprays provide 360° coverage of entire tank
- High flow rates up to 38 gpm (144 l/min)
- For tanks up to 16' (4.8 m) diameter

Ideal for Cleaning:

- Brewery tanks
- Chemical containers
- Drums and kegs
- Food processing tanks
- Pharmaceutical tanks
- Wine barrels and vats

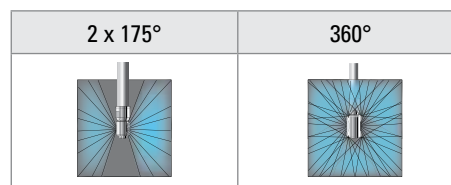


TankJet 9 tank cleaners
for tanks up to 16' (4.9 m) in dia.

Specifications

| Model No. | TJ9-A | TJ9-B | TJ9-C |
|------------------------------------|-------------------------------------|-----------------------------------|-----------------------------------|
| Flow rate range: | 1.3 to 5 gpm (4.9 to 18.9 l/min) | 5 to 17 gpm (18.9 to 64 l/min) | 12 to 38 gpm (45 to 144 l/min) |
| Pressure range: | 10 to 120 psi (0.7 to 8.3 bar) | 10 to 120 psi (0.7 to 8.3 bar) | 10 to 120 psi (0.7 to 8.3 bar) |
| Max, operating temperature: | 190°F (88°C) | 190°F (88°C) | 190°F (88°C) |
| Min. tank opening size: | 1.0625" (27 mm) | 1.375" (35 mm) | 1.625" (42 mm) |
| Spray coverage: | 2 x 175° | 360° | 360° |
| Inlet conn.: | 3/8" NPT, BSPT (F) | 1/2" NPT, BSPT (F) | 3/4" NPT, BSPT (F) |
| Weight: | .34 lbs. (.15 kg) | .58 lbs. (.26 kg) | .96 lbs. (.44 kg) |

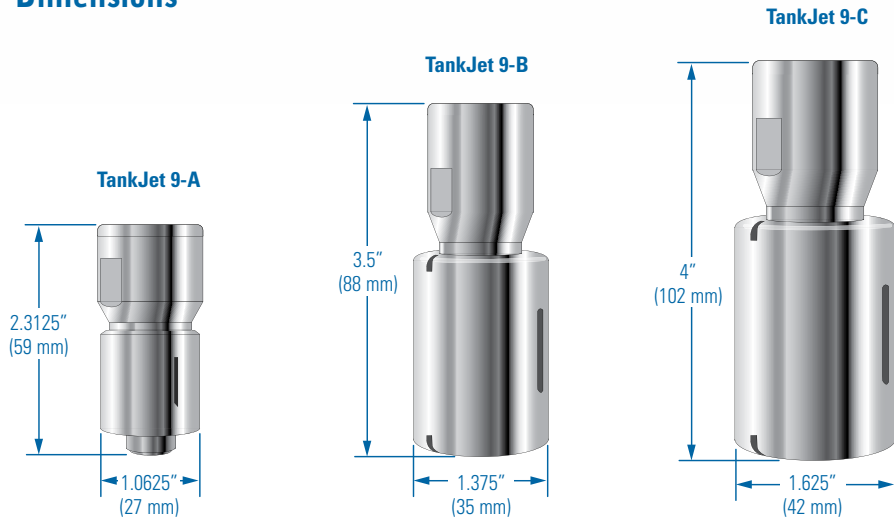
Spray Coverage



Performance Data

| Model No. | Capacity gpm (l/min) | | | | | | | |
|-----------|----------------------|---------------------|---------------------|---------------------|---------------------|----------------------|----------------------|----------------------|
| | 10 psi (0.7 bar) | 30 psi (2.1 bar) | 50 psi (3.4 bar) | 70 psi (4.8 bar) | 90 psi (6.2 bar) | 100 psi (6.9 bar) | 110 psi (7.6 bar) | 120 psi (8.3 bar) |
| TJ9-A | 1.3 (4.9) | 2.5 (9.5) | 3 (11.4) | 4 (15.1) | 4.5 (17) | 4.7 (17.8) | 4.9 (18.5) | 5 (18.9) |
| TJ9-B | 5 (18.9) | 8 (30) | 11 (42) | 13 (49) | 14 (53) | 15 (57) | 16 (61) | 17 (64) |
| TJ9-C | 12 (45) | 20 (76) | 25 (95) | 30 (114) | 33 (123) | 35 (133) | 37 (140) | 38 (144) |

Dimensions



Ordering Information

| TankJet 9 Tank Cleaner | | | |
|------------------------|-------------------|---|----------|
| TJ9 | —* | — | A |
| Model No. | Inlet Type | | Type |

*Add B for BSPT connections. If NPT connection, leave blank.